

Tolerance : Product dimension

length	<1000mm	-0/+3mm
	>1000mm	-0/+4mm
width	<500mm	-0/+2mm
	>500mm	-0/+3mm
height	<500mm	-1/+1mm
	>500mm	-2/+2mm

Tolerance : straight surface

down basin		-2/+2mm
up basin		
length	<500mm	-2/+2mm
	500-1000mm	-3/+3mm
	>1000mm	-5/+5mm
width	<500mm	-2/+2mm
	>500mm	-2/+2mm
straight wall		-2/+2mm
overflow / tap	left / right	-2/+2mm
	up / down	-3/+3mm
	diam	-0/+2mm

	NAME	DATE	TITLE:
DRAWN	M.Gala		
CHK'D			
APPV'D			

MATERIAL:	DWG NO.	comp:	A4
		marmorin	

WEIGHT: SCALE:1:10 SHEET 1 OF 1

1

2

3

4

5

6

A

A

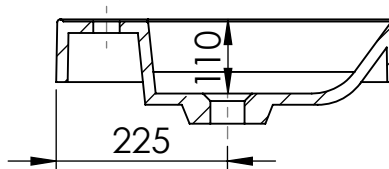
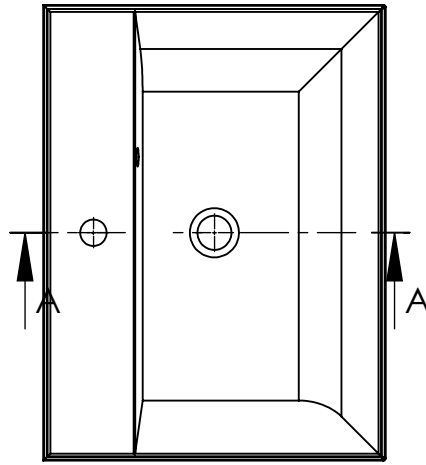
B

B

C

C

D



Tolerance : Product dimension			DRAWN	NAME	DATE	TITLE:
length	<1000mm	-0/+3mm				
	>1000mm	-0/+4mm				
width	<500mm	-0/+2mm	CHK'D			
	>500mm	-0/+3mm				
height	<500mm	-1/+1mm	APPV'D			
	>500mm	-2/+2mm				
Tolerance : straight surface			MATERIAL:	DWG NO.	comp:	A4
down basin		-2/+2mm				
up basin						
length	<500mm	-2/+2mm				WEIGHT:
	500-1000mm	-3/+3mm				
	>1000mm	-5/+5mm				
width	<500mm	-2/+2mm				
	>500mm	-2/+2mm				
straight wall		-2/+2mm				
overflow / tap	left / right	-2/+2mm				
	up / down	-3/+3mm				
	diam	-0/+2mm				